

电缸端盖 & 配件

ELECTRIC CYLINDER MOUNTING PARTS



浙江邦焯自动化科技有限公司

Zhejiang Bangye Automation Technology Co., Ltd.

ABOUT US

如果你看我们的标志，你会发现它是由两个相互环绕的形状组成的。它的意思是制造与创新相互配合。

正如 BANGYE 商标所示，我们希望能与我们的客户进行更好的沟通与合作，让我们在共同的行业中走向辉煌。

我们是压铸行业领先的制造商，特别是在气动和汽车配件领域。其中超过90%以上的生产工艺均是由我们自己完成的，这是我们与其他供应商不同的地方。

我们有超过20年的 OEM 经验，使我们在代工领域起着重要作用。我们的生产能力，综合服务以及丰富的经验使我们成为您的最佳选择。

成立时间：2017年

注册资本：6000万元

年度销售额：1.2亿元

员工数量：220-280

地址：中国浙江



在2020年12月从上海搬迁至浙江嘉兴

ABOUT US

If you take a look at our logo, you will find that it is composed of two abstract shapes interacting with each other. It means cooperation as well as two strength: Manufacture and Innovation.

Just like the meaning of our logo, we hope we can better cooperate with our customers and can step into a better platform together.

We are a leading manufacturer of die casting, especially in the field of pneumatic and automotive. Above 90% of the production procedures are done by ourselves, which makes us different from the other suppliers.

With more than 20 years of OEM experiences, we play a leading role in this area. Our production capacity, comprehensive services as well as abundant experience enable us to be your best choice.

Founded:2017

Registered Capital:

60 million RMB

Annual Sales:

120 million yuan

No. Employees:

220-280

Location:

Zhejiang China



We are Shanghai Bangye Pneumatic And Hydraulic Components Co.,Ltd which has established since 2002. Our company moved from Shanghai to Pinghu in December 2020.

产品目录

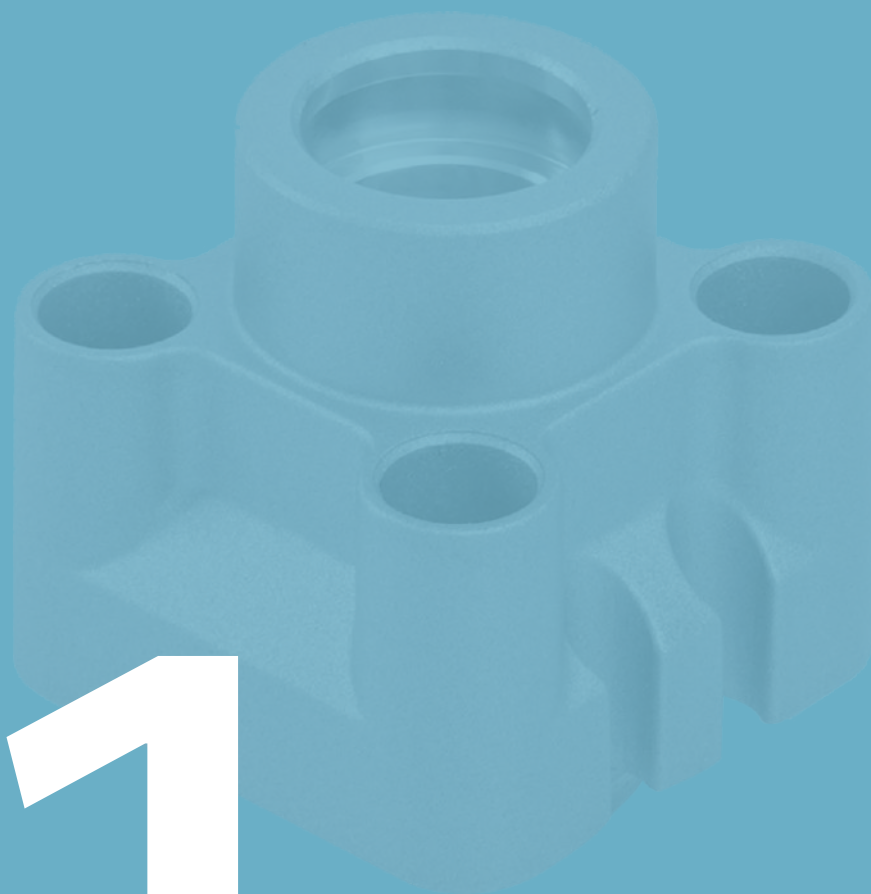
PRODUCTS CATALOGUE

Parts配件

Front Cover 前端盖.....	05
Rear Cover 后端盖.....	06
Push Rod Joint 推杆头.....	06
Straight Connecting Base 直连安装座.....	07
Straight Connecting Plate 直连安装板.....	07
Folding Connecting Base 折返安装座.....	08
Folding Connecting Plate 折返安装板.....	08
Piston 活塞.....	09

Accessories附件

CA Male Clevis 单耳座.....	11
CB Female Clevis 双耳座.....	11
FA/FB Flange 法兰板.....	12
Male Hinge With Ball Joint 关节单耳.....	12
L bracket L支架.....	13
Square Hinge 直角耳座.....	14



配件

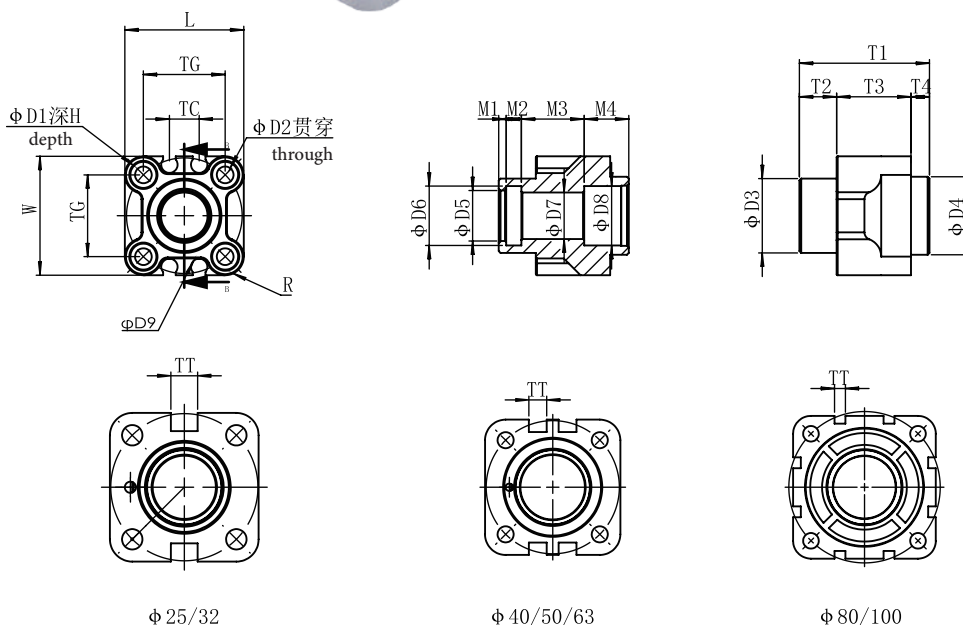
Parts

主要产品

- 前端盖 Front End Cover
- 后端盖 Rear End Cover
- 推杆头 Push Rod Joint
- 直连安装座 Straight Connecting Base
- 直连安装板 Straight Connecting Plate
- 折返安装座 Folding connecting Base
- 折返安装板 Folding connecting Plate
- 活塞 Piston

EY 20-100 Front Cover 前端盖

Material:ADC12 Die Casting
材料:ADC12 压铸铝



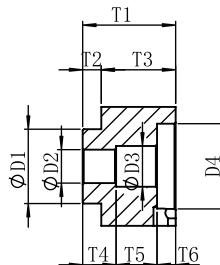
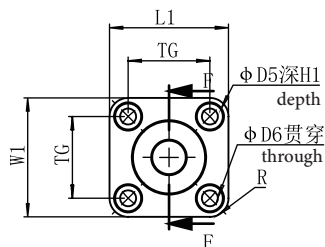
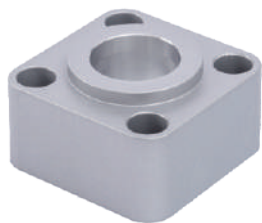
配件 Parts

Φ	L	TG	TC	W	R	D1	H	D2	T1	T2	T3	T4
20	32	22	8	32	5	7	15.5	4.5	35	10	20	5
25	40	28	-	40	6	8.5	18.5	5.5	42	12	25	5
32	45.6	32.5	-	45.6	6.5	9.5	22	6.5	44.5	12	27.5	5
40	54.6	38	12	54.6	8.3	9.5	22.5	6.5	49	12	32	5
50	65.8	46.5	16	65.8	9.65	12.5	23	9	49	12	32	5
63	75.8	56.5	27	75.8	9.65	12.5	23	9	50	12	33	5
80	96	72	33	96	12	15.5	26.5	10.5	50	12	33	5
100	116	89	60	116	12	15.5	27	10.5	56	16	35	5

Φ	D9	TT	D3	D4	D5	D6	D7	D8	M1	M2	M3	M4
20	4.4	-	20	21	13.6	16	12.5	16	2	4.1	16.9	12
25	-	7.2	28	25	19.4	24	17	20	2	6	18	16
32	-	7.2	32	32	23.4	28	21	24	2	5	17.5	20
40	-	7.2	38	40	28.4	33	26	30	2	5	17	25
50	-	7.2	46	50	34	40	32	36	2	6	16	25
63	-	7.3	56	63	39	45	36	40	2	6	12	30
80	-	7.3	65	80	44	50	42	50	2	6	12	30
100	-	7.3	80	100	54	60	50	60	2	6	13	35

EY 20-100 Rear Cover 后端盖

Material:ADC12 Die Casting
材料:ADC12 压铸铝

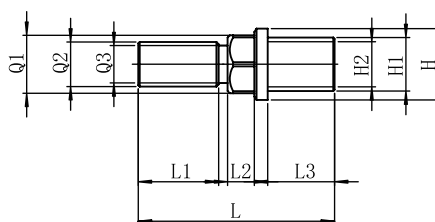
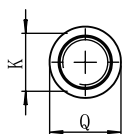


Φ	L1	TG	W1	D5	H1	D6	R	T1	T2
20	32	22	32	7	15.5	4.3	5	25	5
25	40	28	40	8.5	18.5	5.5	6	30	5
32	45.6	32.5	45.6	9.5	22	6.5	6.5	32.5	5
40	54.6	38	54.6	9.5	22.5	6.5	8.3	37	5
50	65.8	46.5	65.8	12.5	23	9	9.6	37	5
63	75.8	56.5	75.8	12.5	23	9	9.6	38	5
80	96	72	96	12.5	23	9	12	45	5
100	116	89	116	15.5	27	10	12	50	5

Φ	T3	T4	T5	T6	D1	D2	D3	D4
20	20	9	11	5	20	9	11	22
25	25	10	15	5	22	14	17	29
32	27.5	7.5	20	5	32	18	22	35
40	32	11	21	5	40	22	26	44
50	32	7	23	5	45	26	32	55
63	33	5	28	5	58	32	40	69
80	40	6	33	6	72	40	47	87.5
100	45	7	37	6	90	52	62	107.5

EY 20-100 Push Rod Joint 推杆头

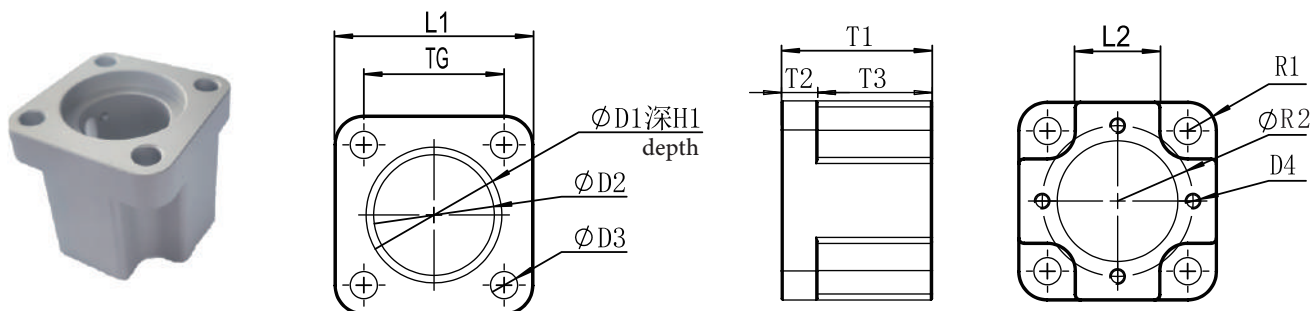
Material:45#steel
材料:45#钢



Φ	K	Q	Q1	Q2	Q3	L	L1	L2	L3	H	H1	H2
20	10	12	10	8	M8*1.25	39	14	5	15	12	8	M8
25	13	16	13	10	M10*1.25	44	18	6	15	16	12	M12
32	17	20	17	10	M10*1.25	52	19.5	8	15	20	17	M17
40	19	25	19	12	M12*1.25	61	21	10	20	25	22	M22
50	22	30	22	16	M16*1.5	69	29	11	20	30	24	M24
63	27	35	27	16	M16*1.5	72	29	15	20	35	30	M30
80	30	40	30	20	M20*1.5	80	37	16	20	40	35	M36
100	32	50	32	20	M20*1.5	85	37	18	20	50	42	M42

EY20-100 Straight Connecting Base 直连安装座

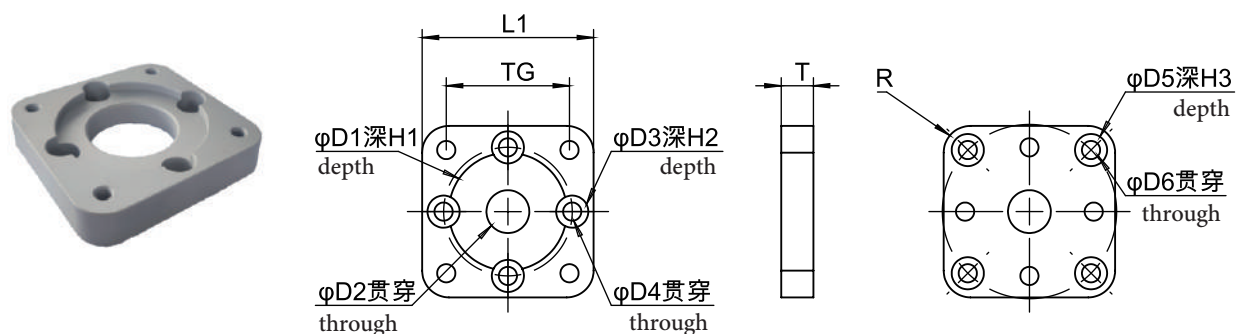
Material:ADC12 Die Casting
材料:ADC12 压铸铝



Φ	L1	TG	D1	H1	D2	D3	T1	T2	T3	L2	R1	R2	D4
20	32	22	20	5.2	18	4.5	35	6	29	14	5	24	M3
25	40	28	-	-	22	5.5	35	8	27	18	6	30	M4
32	45.6	32.5	32	5.2	24	6.6	40	10	30	20.5	6.5	32	M4
40	54	38	40	5.2	30	6.6	40	10	30	26	7.8	40	M4
50	66	46.5	45	5.2	40	9	50	12	38	28.5	9.65	50	M5
63	76	56.5	58	5.2	48	9	54	12	42	38.5	9.65	63	M5
80	96	72	72	5.2	63	11	62	12	50	54	12	82	M6
100	116	89	90	5.2	52	11	70	12	58	69	12	90	M6

EY20-100 Straight Connecting Plate 直连安装板

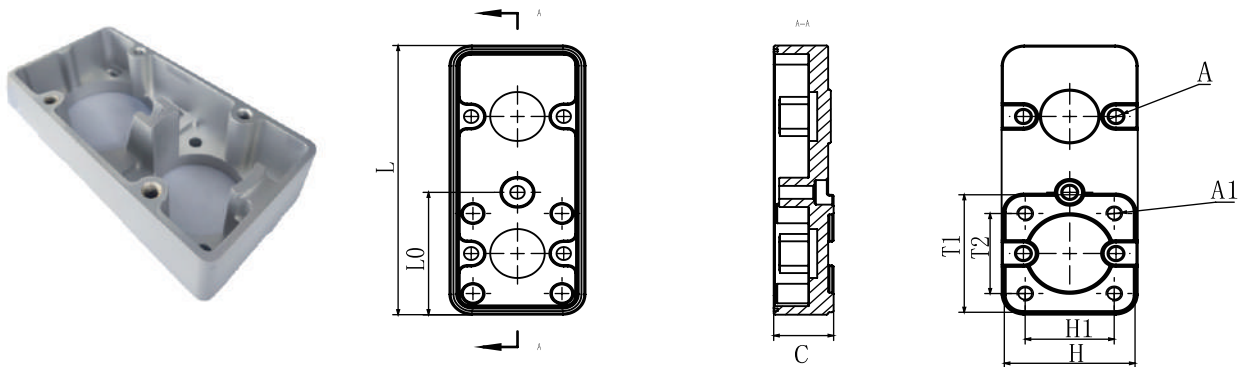
Material:ADC12 Die Casting
材料:ADC12 压铸铝



Φ	L1	TG	D1	H1	D2	D3	H2	D4	T	R	D5	H3	D6
20	32	23	22	1.5	8	6	5	0.4	6	5	6	3.4	3.4
25	40	32.5	30	2.6	20	8	7.1	4.5	10	1	-	-	3.3
32	45.6	32.5	30	2.6	20	8	7.1	4.5	10	7.8	-	-	3.3
40	54	32.5	30	2.6	20	8	4.6	4.5	10	7.8	-	-	3.3
50	65.8	49.5	50	3	30	10	9	5.5	12	9.65	-	-	4.2
63	76	49.5	-	-	50	10	5.7	5.5	10	9.3	-	-	4.2
80	96	63.4	-	-	70	11	6.8	6.6	12	9.3	-	-	5
100	116	63.4	-	-	70	11	6.8	6.6	12	12	-	-	5

EY20-100 Folding Connecting Base 折返安装座

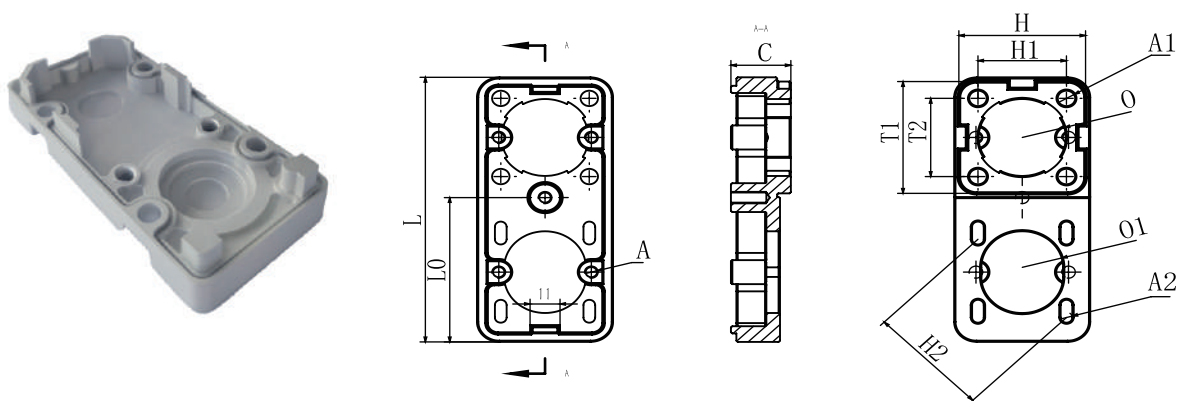
Material:ADC12 Die Casting
材料:ADC12 压铸铝



Φ	L	L0	C	A	A1	H	H1	T1	T2
32	110	50	22	5.3	M6	48	32.7	48	32.7
40	140	65	30	5.3	M6	52	38.2	52	38.2
50	150	68	32	6.4	M8	64	46.5	64	46.5
63	185	81	37	8.4	M8	74	56.5	74	56.5
80	200	98	35	10.5	M10	94	72	94	72
100	250	125	54	10.5	M10	115	89	115	89

EY20-100 Folding Connecting Plate 折返安装座

Material:ADC12 Die Casting
材料:ADC12 压铸铝



Φ	L	L0	C	A	A1	A2	H	H1	H2	T1	T2	O	O1
32	110	60	22	M5	6.4	4.3	46.5	32.5	46	46.5	32.5	32	30
40	140	75	20	M5	6.4	5.3	54.6	38	49.5	54.6	38	40	50
50	150	78	24	M6	8.4	5.3	65.8	46.5	49.5	65.8	46.5	45	50
63	185	99	27	M8	8.4	6.4	75.8	56.5	90	75.8	56.5	58	70
80	200	102	27	M10	10.5	6.4	96	72	90	96	72	72	70
100	250	125	30	M10	10.5	8.4	116	89	115	116	89	90	95

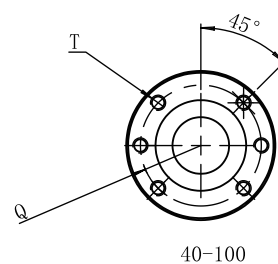
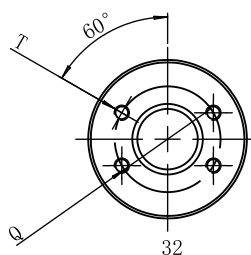
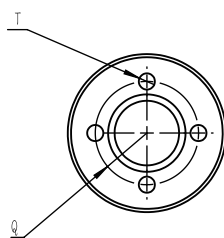
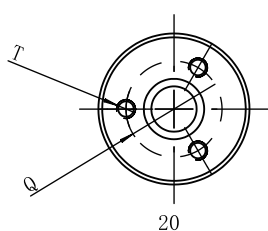
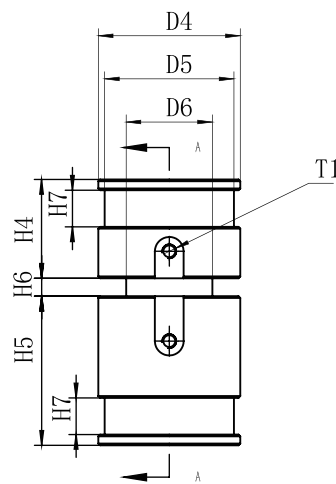
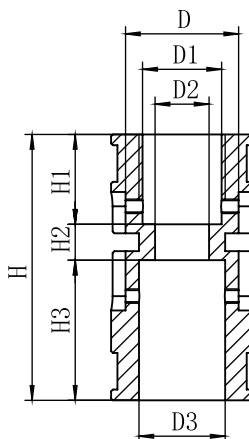
EY系列电缸配件

EY series electric cylinder accessories



EY 20-100 Piston
活塞

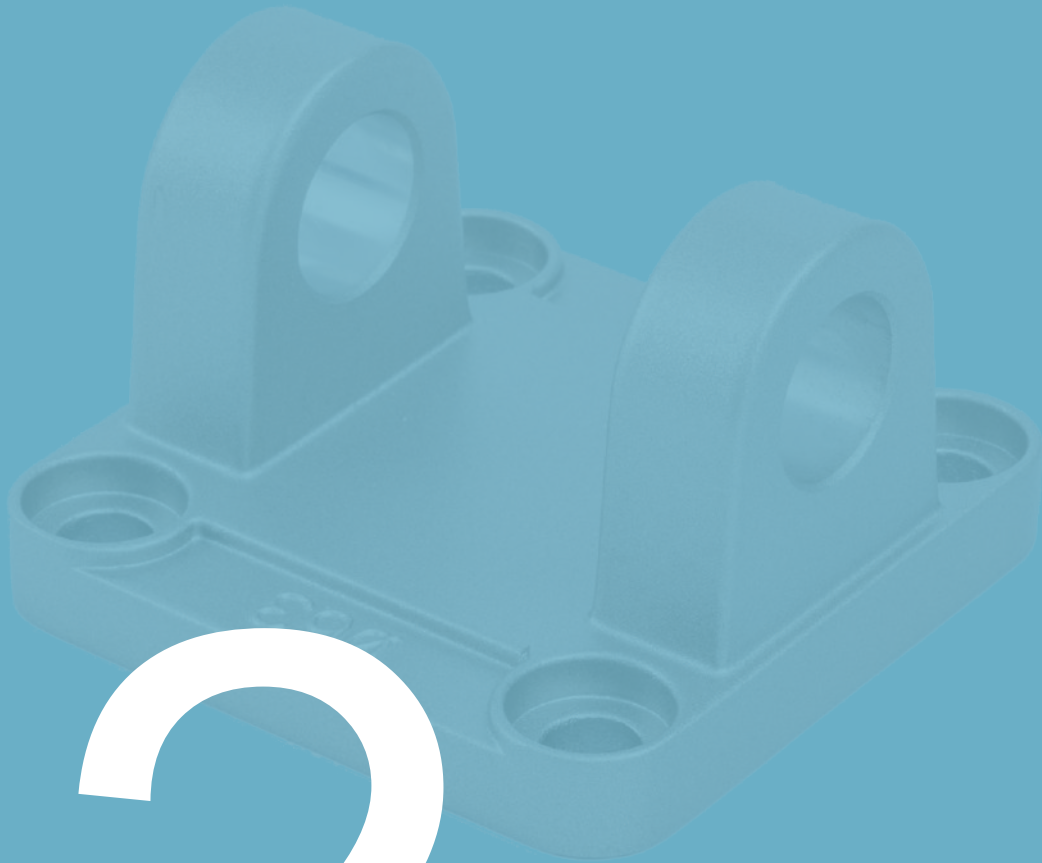
Material:6061 Almin alloy
材料:6061 铝合金



Φ	T	T1	Q	D	D1	D2	D3	D4	D5	D6	H	H1	H2
20	M2.5	M2.5	12.7	14	8	6	M12	20	17	12	40	9	16
25	M3	M3	16	17.5	10	10	M16	24.5	22	16	36	21	-
32	M3	M4	21	23.5	14	12	M20	31.5	29	21	57	23	21
40	M4	M4	29	31.5	20	15	M25	39.5	36	24	69	39	5
50	M5	M4	38	49.5	28	20	M30	49.5	46	35	61	38	3
63	M6	M4	47	54.5	36	25	M35	62.5	59	48	86	48	8
80	M6	M5	51	69.5	40	30	M40	79.5	76	65	109	41.5	45
100	M8	M5	65	89.5	50	35	M50	99.5	96	85	130.5	75	25.5

Φ	H3	H4	H5	H6	H7
20	15	15	21	4	4
25	15	16	16	4	5
32	13	26	26	5	6
40	25	32	32	5	10
50	20	28	28	5	10
63	30	40	40	5	10
80	22.5	61.5	42.5	5	10
100	30	78	47.5	5	10

配件 Parts



附件

2

Accessories

主要产品

- 单耳 CA Male Clevis
- 双耳 CB Female Clevis
- 法兰板 FA/FB Flange
- 关节单耳 Male Hinge With Ball Joint
- L支架 L bracket
- 直角耳座 Square Hinge

EY系列电缸配件

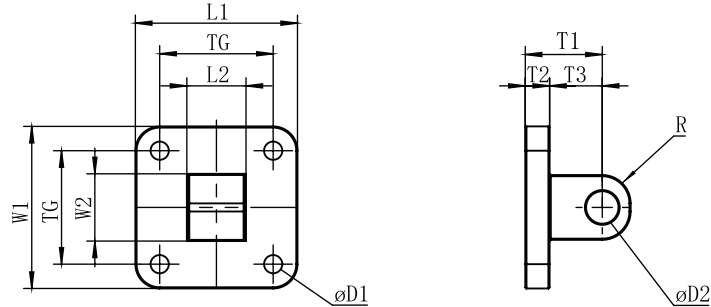
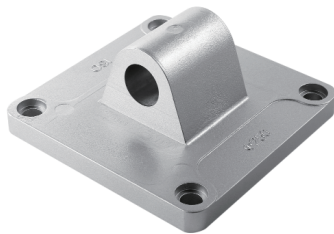
EY series electric cylinder accessories



附件 enclosure

EY 32-100 CA Male Clevis 单耳座

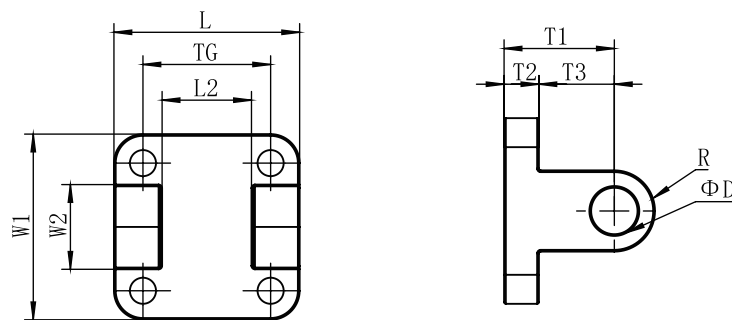
Material:ADC12 Die Casting
材料:ADC12 压铸铝



Φ	L1	TG	L2	W1	W2	D	T1	T2	T3	R
20	32	22	16	32	14	8	19	6	13	7
25	40	28	14	40	16	8	19	6	13	7
32	47	32.5	26	47	20	12	22	9.5	12.5	10
40	53	38	28	52	24	14	25	9	16	12
50	65	46.5	32	64	24	14	27	11	16	12
63	75	56.5	40	74	33	18	32	11	21	15.5
80	95	72	50	94	43	18	36	14	22	16
100	115	89	60	113	58	23	41	14	27	20

EY 32-100 CB Female Clevis 双耳座

Material:ADC12 Die Casting
材料:ADC12 压铸铝



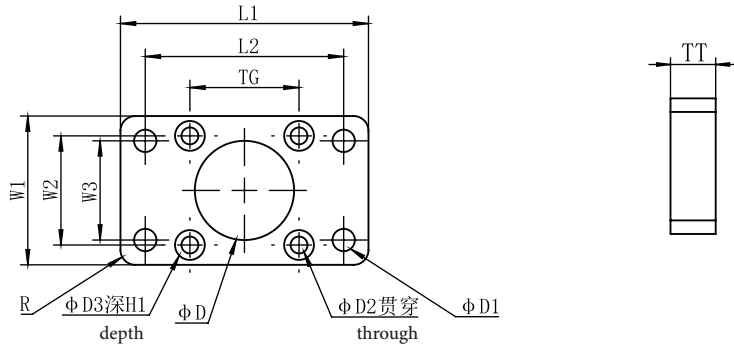
Φ	L1	TG	L2	W1	W2	D	T1	T2	T3	R
32	46	32.7	26	46	20	12	22	9.5	12.5	9.8
40	51.8	38.2	28	51.8	23.9	14	25	9	16	12
50	63.8	46.5	32	63.8	26	14	27	11	16	12
63	73	56.5	40	73	35.5	16	32	11	21	16
80	93	72	50	93	43	18	36	14	22	16
100	113	89	60	113	54	23	41	14	27	20

EY 32-100 FA/FB Flange

法兰板

Material:ADC12 Die Casting

材料:ADC12 压铸铝



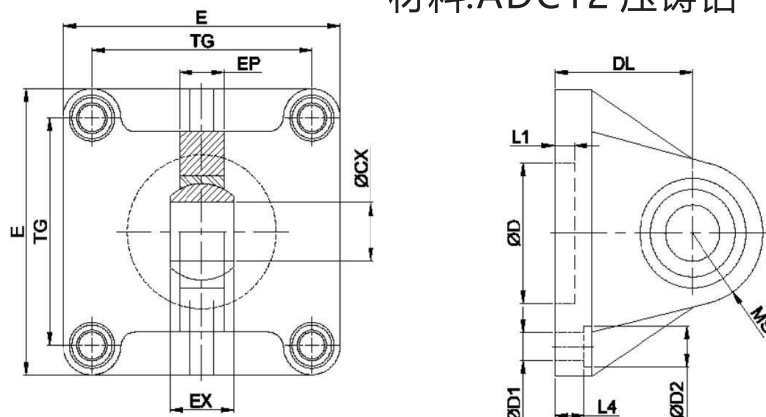
Φ	W1	W2	W3	L1	L2	TG	T	R	D3	H1	D2	D1	D
20	30	22	20	50	40	22	10	3	6	3.4	3.4	4.5	20
25	39	28	25	72	58	28	12	3	10	5.7	5.5	7	26
32	50	32.5	32	79	64	32.5	12	3	10	5.7	5.5	7	32
40	55	38	36	90	72	38	12	3	10	5.7	5.5	9	35
50	65	46.5	45	110	90	46.5	12	3	11	6.8	6.6	9	52
63	75	56.5	58.5	120	100	56.5	12	3	15	9	9	9	52
80	95	72	63	150	126	99	12	3	18	11	11	12	65
100	115	89	75	175	150	89	12	3	18	11	11	13.5	80

EY 32-100 Male Hinge With Ball Joint

关节单耳

Material:ADC12 Die Casting

材料:ADC12 压铸铝



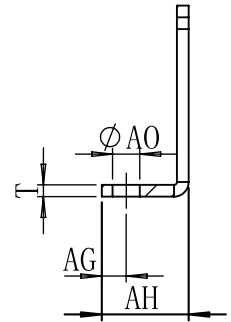
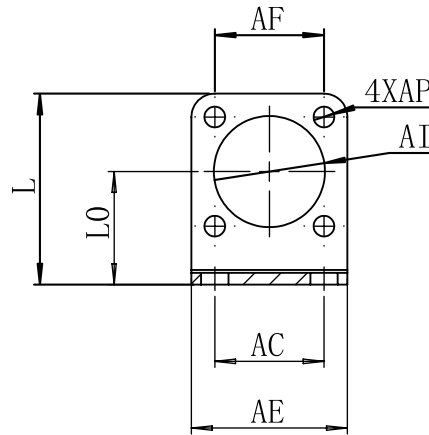
Φ	CX(Φ)	D(Φ)	D1(Φ)	D2(Φ)	DL	E	EP	EX	L1	L4	MS	TG
32	10	30	6.5	10.5	22	45	10.5	14	5	5.5	16	32.5
40	12	35	9	15	25	52	12	16	5	5.5	18	38
50	16	40	9	15	27	65	15	21	5	6.5	21	46.5
63	16	45	11	18	32	75	15	21	5	6.5	23	56.5
80	20	45	11	18	36	95	18	25	5	10	28	72
100	20	55	13	20	41	115	18	25	5	10	30	89

EY系列电缸配件

EY series electric cylinder accessories

EY20-100 L Bracket
L支架

Material: Q235 Steel
材料: Q235 碳钢



附件 enclosure

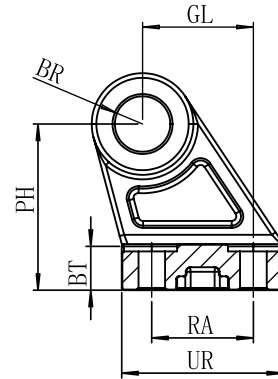
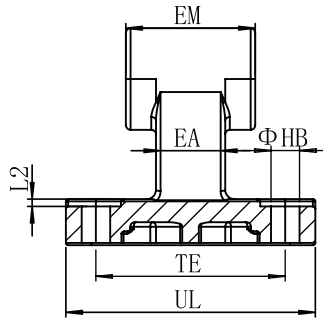
Φ	L	L0	AF	AE	AI	AP	AO	AC	AG	AH	T
20	43	27	22	34.5	20.5	5.3	7	22	6.25	22.5	4
25	49	29	28	40	28.5	5.3	7	28	6.25	22.5	4
32	55	32	32.5	47	32.5	6.4	7	32.5	8	32	4
40	63.3	36	38	55	38.5	6.4	9	38	9	37	4
50	78	45	46.5	66	46.5	8.4	9	46.5	10	42	4
63	88	50	56.5	76	56.5	8.4	9	56.5	12	44	4
80	111	63	72	96	65.5	10.5	12.5	72	19	60	4
100	128.75	71	92	115	80.5	10.5	12.5	92	19	64	4

EY系列电缸配件

EY series electric cylinder accessories

EY32-100 Square Hinge
直角耳座

Material:ADC12 Die Casting
材料:ADC12 压铸铝



Φ	BR	BT	CK	EM	GL	HB	L2	PH	RA	TE	UL	UR	EA
32	10	8	10	26	21	6.6	1.6	32	18	38	51	31	10
40	11	10	12	28	24	9	1.6	36	22	41	54	35	15
50	13	12	12	32	33	9	1.6	45	30	50	65	45	16
63	15	14	16	40	37	11	1.6	50	35	52	67	50	16
80	15	14	16	50	47	11	2.5	63	40	66	86	60	20
100	19	17	20	60	55	14	2.5	71	50	76	96	70	20

附件 enclosure



Company Name: Zhejiang Bangye Automation Technology Co., Ltd.
Address: No.689, Jingxing 1st Road, Caoqiao Street, Pinghu, Jiaxing
city, Zhejiang Province, China
Post Code: 314214
Tel: +86-573-85966868 Fax: +86-573-85963366
E-mail: info@bangye-auto.com Website: www.bangye-auto.com

公司名称: 浙江邦焯自动化科技有限公司
地址: 浙江省嘉兴市平湖市曹桥街道景兴一路689号
邮编: 314214
电话: 0573-85966868 传真: 0573-85963366
网站: www.bangye-auto.com
邮箱: info@bangye-auto.com



浙江邦焯自动化科技有限公司
Zhejiang Bangye Automation Technology Co., Ltd.